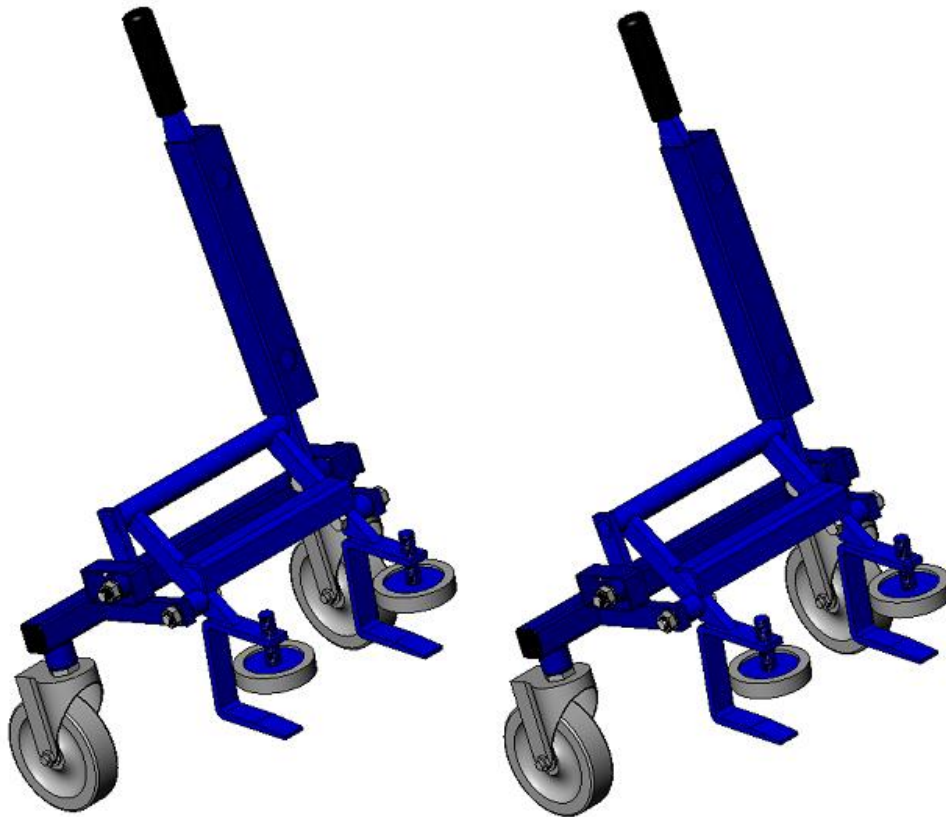




**AMERICAN ATHLETIC, INC
200 AMERICAN AVE.
JEFFERSON, IOWA 50129
PHONE 515-386-3125**



T331-2 APPARATUS TRANSPORTERS

MODEL NUMBER 407-016	LAST REVISION DATE 10-20-05	INSTRUCTION NO. 81960
--------------------------------	---------------------------------------	---------------------------------

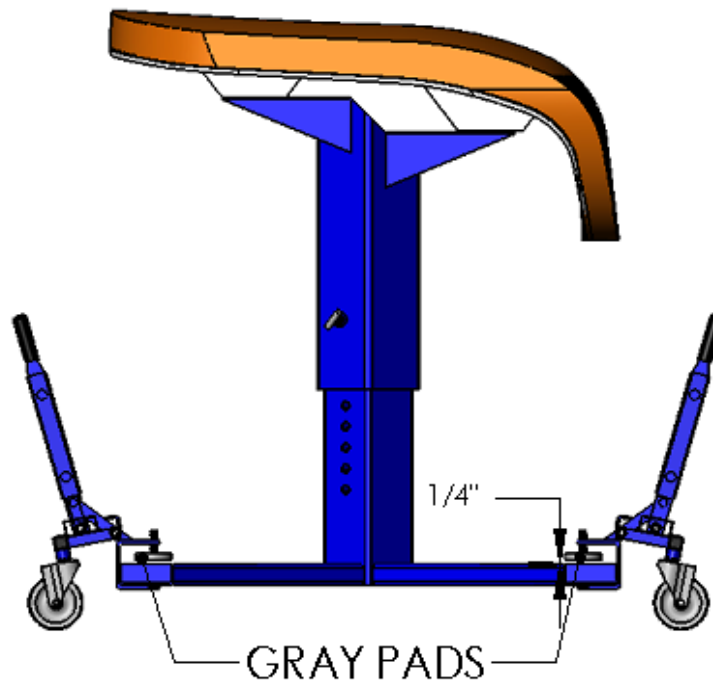
KEY	PART NO.	DESCRIPTION	QTY
1	0077634	T331 TRANSPORTER	2
2	0077681	BB SQUARE TUBE	2

USE OF YOUR T331-2

Your T331 comes completely assembled. Adjustments must be made to make the transporter work with different apparatus.

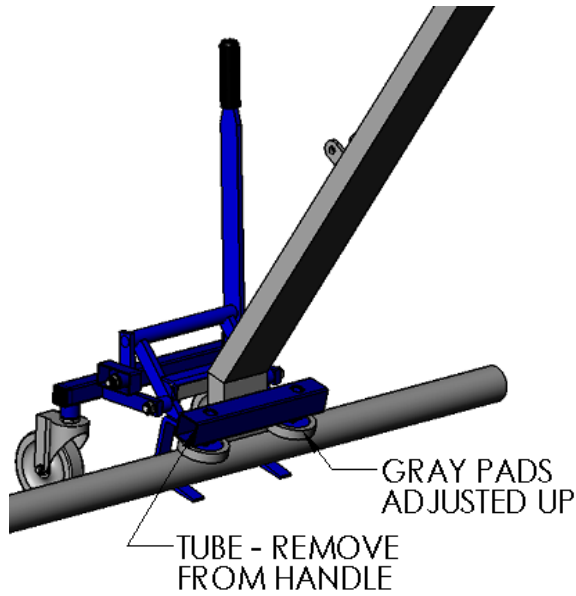
For Vault Tables, Pommel Horses and Parallel Bars and UTB with Transport Bar use the following.

1. Position a transporter at the each end of the apparatus.
2. Adjust the gray pads so the transporter can be positioned on the apparatus as shown below. The gray pads do not need to be adjusted tight to the top of the apparatus surface, but must be within a 1/4".
3. Push the handles forward on the transporters to lift the apparatus.
4. The apparatus can now be carefully moved.



For Balance Beams use the following.

1. Position a transporter at the each end of the balance beam.
2. Adjust the gray pads to their highest position. Slide the transporter under the leg tube.
3. Remove the square tube from the handle and place over the threaded studs atop the lifting brackets. You may have to push the handle forward slightly to do this.
4. Repeat steps 2 and 3 for the opposite end.
5. Push the handles forward on the transporters to lift the balance beam
6. The balance beam can now be carefully moved.



REPLACEMENT PARTS LIST

In addition to the parts listed previously, you may purchase the following parts as replacement parts.

PART NO.	DESCRIPTION
0007120	GRAY RUBBER FOOT PAD
0030770	CASTER
0077681	BB SQUARE TUBE